

Oval Tubular Handles

Tube Aluminum, Handle Legs Zinc Die Casting, with Inclined Handle Profile

SPECIFICATION

Types

- Type **A**: Mounting from the back (threaded blind bore)
- Type **B**: Mounting from the operator's side

Handle tube

Aluminum

- Powder coated
Black, RAL 9005, textured finish **SW**
Handle legs black

- Anodized, natural color **EL**

- Anodized, natural color **ES**

- Anodized, natural color **ES**
Handle legs silver

Handle legs

Zinc die casting

Powder coated, textured finish

- Black, RAL 9005 for SW / EL

- Silver, RAL 9006 for ES

Cover

Plastic, light gray

Fastening set for type B

Stainless steel

- Socket button head screws ISO 7380-M8-30

- Hex nuts ISO 4032

- Washers DIN 125



INFORMATION

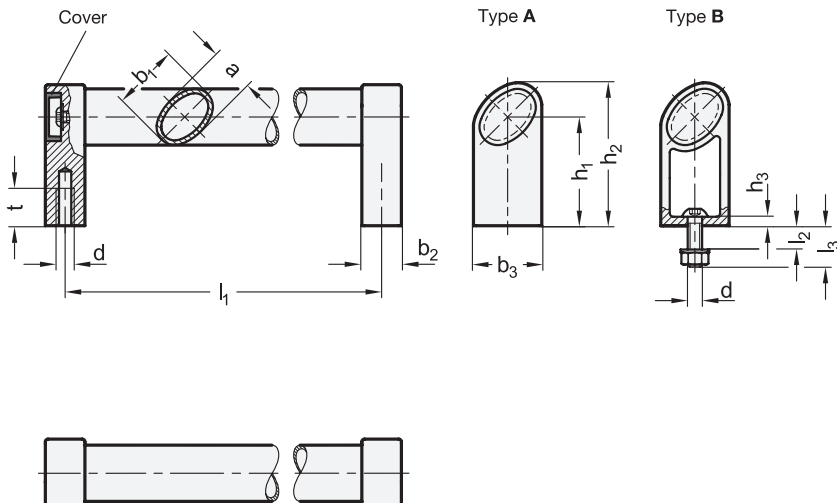
Oval tubular handles GN 335 have an inclined handle profile with a 45° angle. These handles are comfortable and ergonomic to grasp in a variety of applications such as sliding doors.

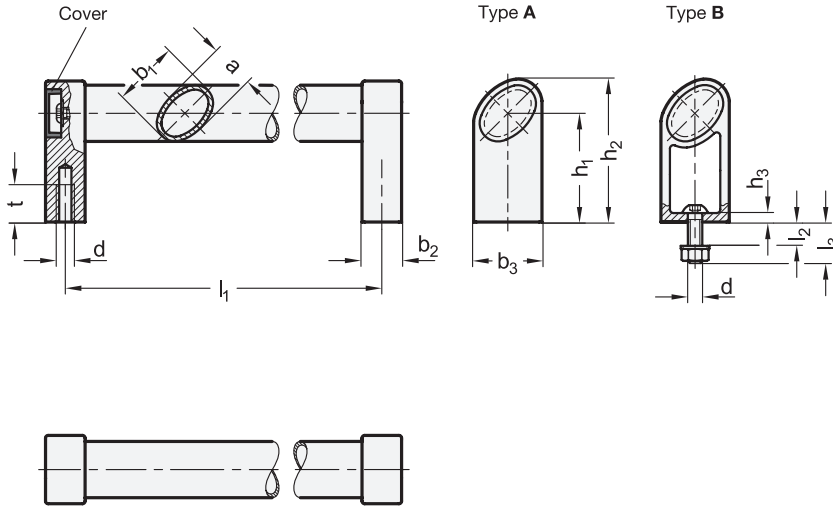
For type B, socket button head screws, hex nuts and washers are included parts of the order.

The tubular handle can be screwed onto the handle shanks without further modification. This allows even a small quantity of special lengths to be ordered.

TECHNICAL INFORMATION

- Load Rating Information (see page A35)





* Complete with

SW
EL
ES
 RAL9005 Anodized, natural color Anodized, natural color

GN 335-A

Description	b1	l1 ±0.5	a	b2	b3	d	h1	h2	h3	l2 max.	l3	t min.	⚖
GN 335-36-200-A-*	36	200	24	22	38	M 8	60.5	79.5	5	16.5	25	15	570
GN 335-36-250-A-*	36	250	24	22	38	M 8	60.5	79.5	5	16.5	25	15	607
GN 335-36-300-A-*	36	300	24	22	38	M 8	60.5	79.5	5	16.5	25	15	648
GN 335-36-350-A-*	36	350	24	22	38	M 8	60.5	79.5	5	16.5	25	15	938
GN 335-36-400-A-*	36	400	24	22	38	M 8	60.5	79.5	5	16.5	25	15	1258
GN 335-36-500-A-*	36	500	24	22	38	M 8	60.5	79.5	5	16.5	25	15	1278
GN 335-36-600-A-*	36	600	24	22	38	M 8	60.5	79.5	5	16.5	25	15	1431
GN 335-36-800-A-*	36	800	24	22	38	M 8	60.5	79.5	5	16.5	25	15	1601

GN 335-B

Description	b1	l1 ±0.5	a	b2	b3	d	h1	h2	h3	l2 max.	l3	⚖
GN 335-36-200-B-*	36	200	24	22	38	M 8	60.5	79.5	5	16.5	25	1029
GN 335-36-250-B-*	36	250	24	22	38	M 8	60.5	79.5	5	16.5	25	575
GN 335-36-300-B-*	36	300	24	22	38	M 8	60.5	79.5	5	16.5	25	610
GN 335-36-350-B-*	36	350	24	22	38	M 8	60.5	79.5	5	16.5	25	906
GN 335-36-400-B-*	36	400	24	22	38	M 8	60.5	79.5	5	16.5	25	1226
GN 335-36-500-B-*	36	500	24	22	38	M 8	60.5	79.5	5	16.5	25	1246
GN 335-36-600-B-*	36	600	24	22	38	M 8	60.5	79.5	5	16.5	25	1335
GN 335-36-800-B-*	36	800	24	22	38	M 8	60.5	79.5	5	16.5	25	1569

Weight SW



U-Handles 4